

## AT A GLANCE

### FEATURES

- All controls include start in gear protection
- Designed for use with both universal and OEM shift and throttle cable connections
- Suitable for most boat/engine combinations
- Dual action lever (throttle and shift control on one handle)
- Neutral Interlock available on CH7500/CH7600
- Trim, Tilt, options available
- Drag adjustment on all models
- Easy installation and set up
- Neutral "warm up" button for throttle only operation

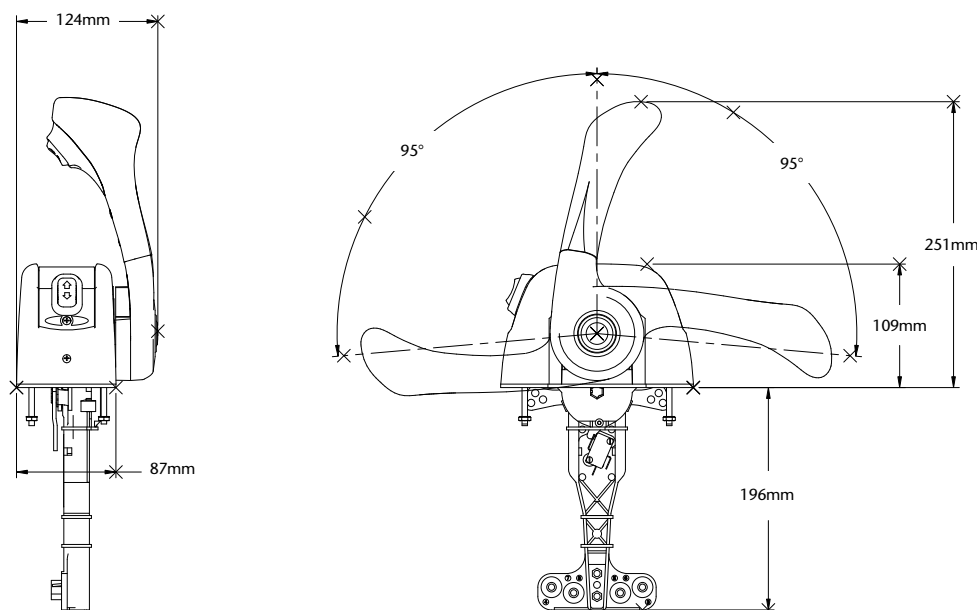


## OPSPREY SERIES CH7500 TOP MOUNT CONTROL

### TECHNICAL DATA

The ergonomics and features of our single top mount CH7500 controls are advanced beyond those of any other control on the market. A shapely, balanced handle design, provides an incredibly smooth yet positive feel, throttle warm up and start in gear protection features are standard on all CH7500 models, with power trim/tilt and neutral interlock etc offered as options, in addition the cosmetics of these controls can be configured to suit any taste.

CH7500 controls are suitable for use with both universal type (3300) or OEM type control cables without the need for adaptation.





CH7500-200010



CH7500-210010



CH7500-000100

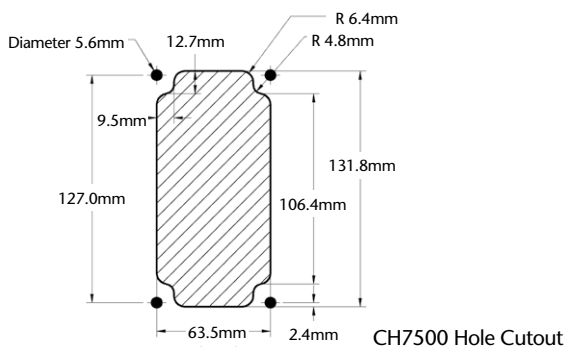


CH7500-000010

## SPECIFICATIONS

CH7500 Single Top Mount

ORDER INFORMATION	COVER	HANDLE HUB	INSERT	TOP CHOICE	PART NUMBER
Base	Chrome	Black	Black	✓	CH7500-000000
Base with Neutral Interlock	Chrome	Black	Black	✓	CH7500-000100
Base with Trim	Chrome	Black	Black		CH7500-000010
Base with Trim and Neutral Interlock	Chrome	Black	Black	✓	CH7500-000110
Base with Trim & Tilt	Chrome	Black	Black		CH7500-010010
Base with Trim and Tilt and Neutral Interlock	Chrome	Black	Black		CH7500-010110
Base	Chrome	Chrome	Chrome	✓	CH7500-200000
Base with Neutral Interlock	Chrome	Chrome	Chrome	✓	CH7500-200100
Base with Trim	Chrome	Chrome	Chrome		CH7500-200010
Base with Trim and Neutral Interlock	Chrome	Chrome	Chrome	✓	CH7500-200110
Base with Trim & Tilt	Chrome	Chrome	Chrome		CH7500-210010
Base with Trim and Tilt and Neutral Interlock	Chrome	Chrome	Chrome		CH7500-210110



CH7600  
(available to special order)

